

20' x 20' ISLAND • Total height 15'3"

**20x20 Lightbox Rental Design to include:**

Hardwall store room with locking door

(3) lightbox ceiling panels

(2) 16' tall ID Signs

(1) INWALL monitor mount

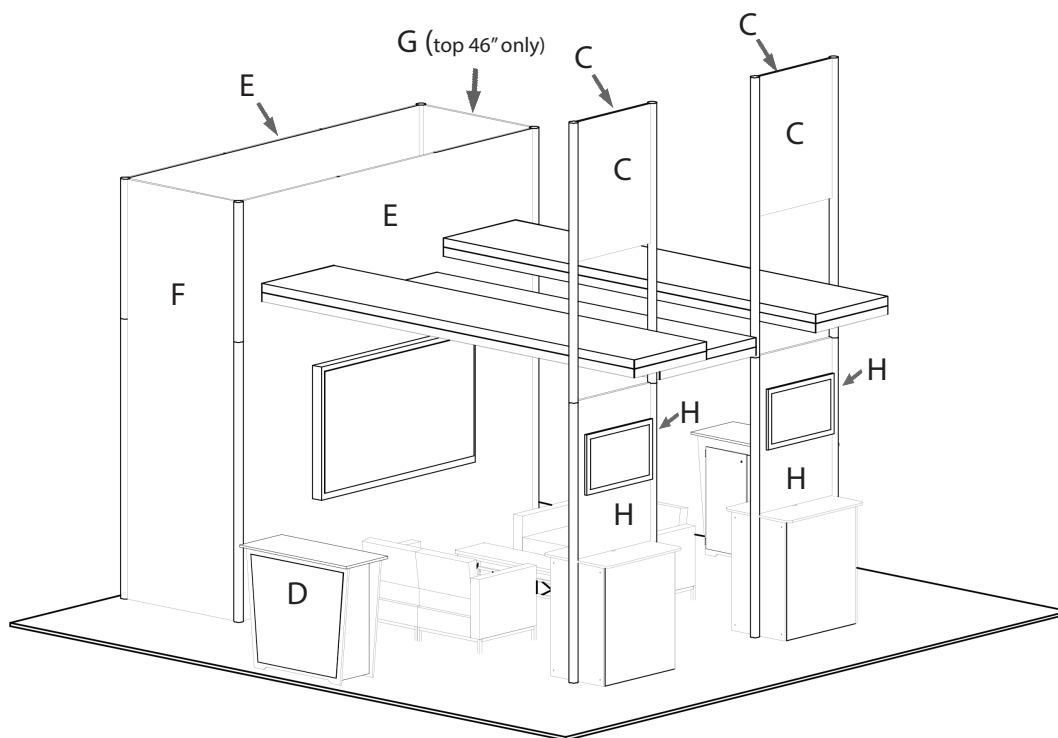
(2) Double Sided 36" Box" workstation with black laminate top and built in monitor mount

(2) "EV2" locking standalone counter, 46"w x 20"d black laminate top

CHOICE of black, white, or gray sintra provided standard for all solid infill walls that do not have graphics, unless described otherwise

\*White laminate standard for EV2 wall counter sides and standalone counter front and sides

Consult your account rep for options. Additional elements, merchandising and graphics are available

**GRAPHICS PACKAGE A TO INCLUDE**

A. - (1) 46" w x 138" h backlit fabric graphic required (underside of center ceiling panel)

B. - (2) 34.5" w x 161" h backlit fabric graphic required (underside of left and right ceiling panels)

C. - (4) 34.5" w x 46" h Sintra Graphic

D. - (2) 40" w x 35" h Counter Graphic

**GRAPHICS PACKAGE B TO INCLUDE**

Package A, Plus

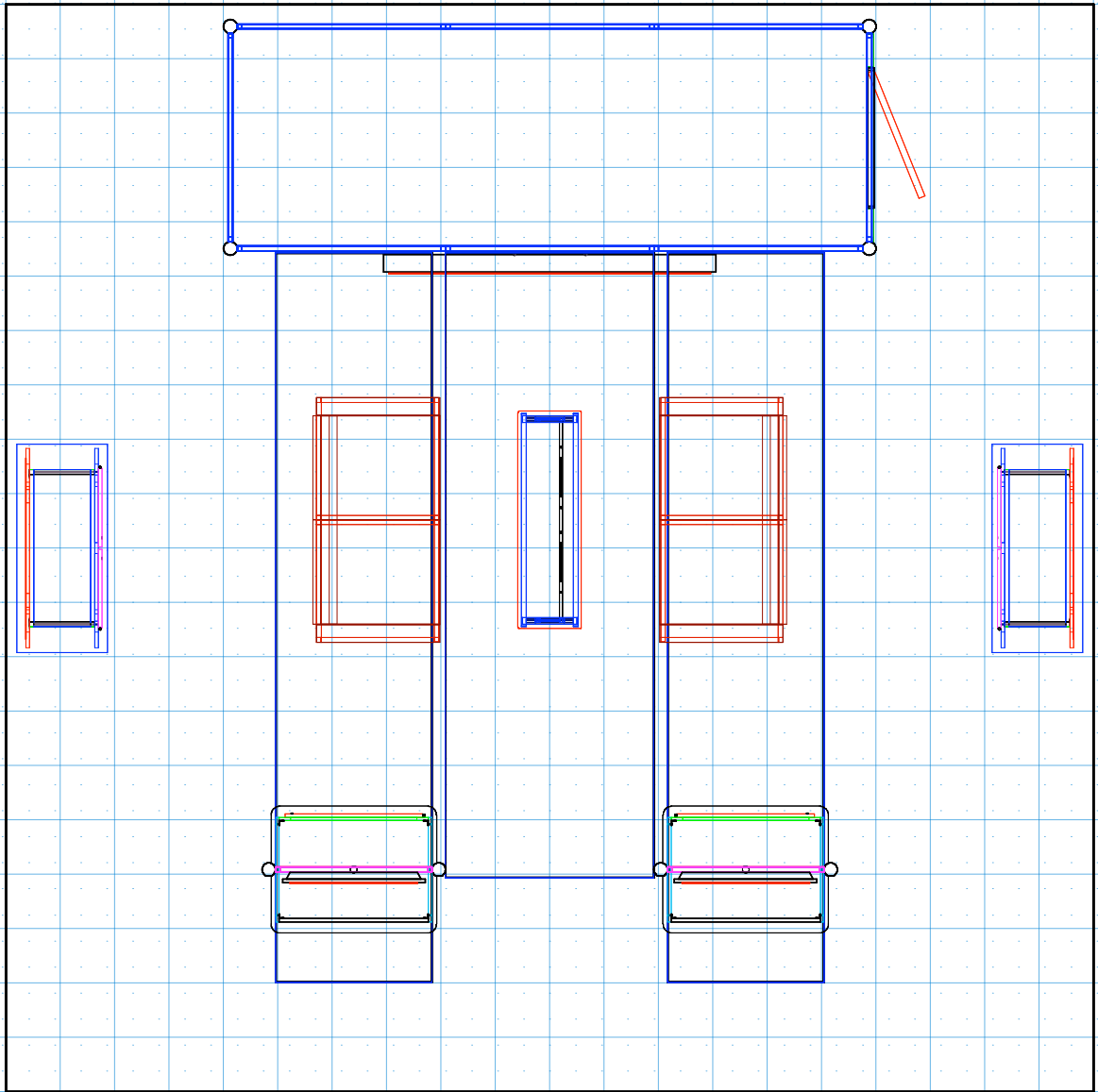
E. - (2) 138" x 138" Sintra Graphics

F. - (1) 46" w x 138" h Sintra Graphic

G. - (1) 46" w x 46" h Sintra Graphic

H. - (4) 34.5" w x 92" h Sintra Graphic (Workstation wall)

**DESIGN PRICING DOES NOT INCLUDE chairs, benches, tables, computers, monitors/cables, and carpet. Additional elements, merchandising and graphics are available through your account representative.****Please follow our graphic file submission guidelines for all printed elements to avoid resubmission requests and delay. Allow at least 10 business days for graphic production.**

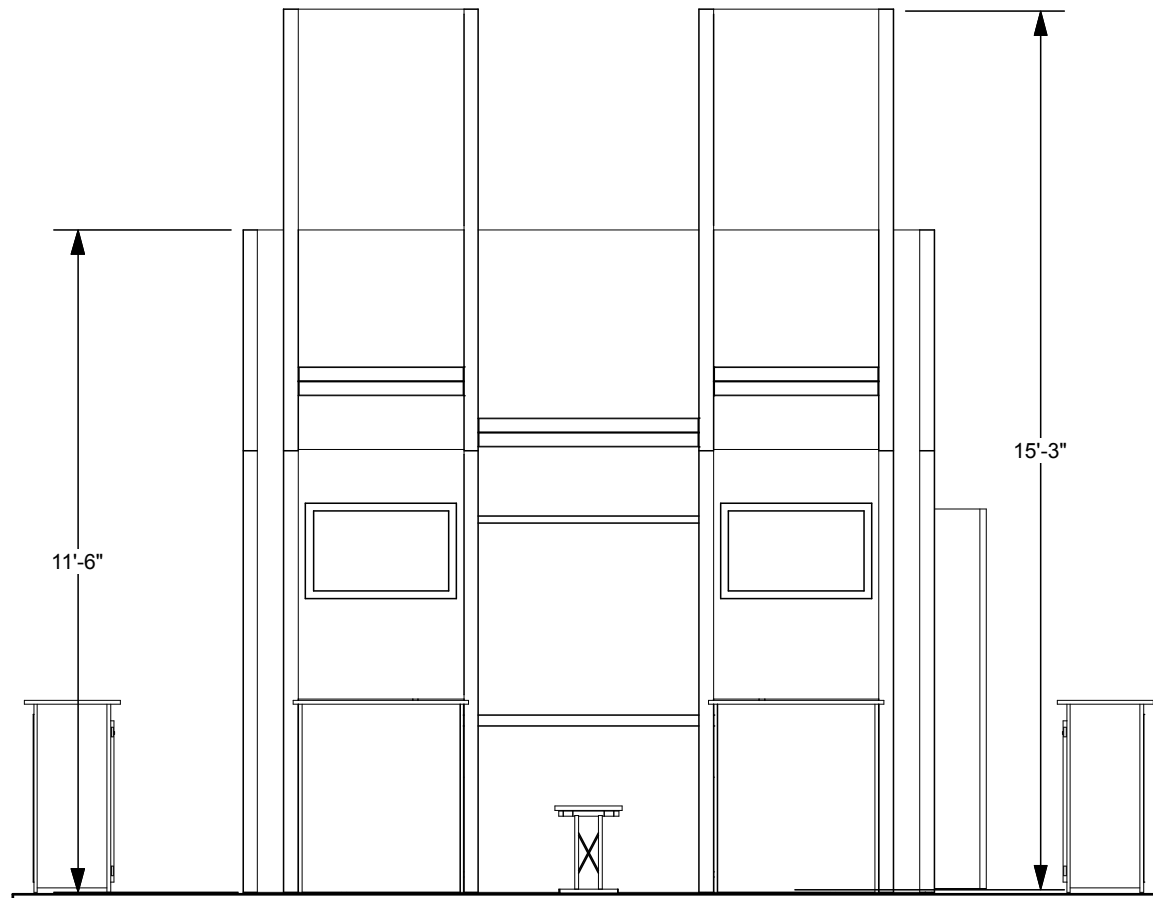


DRAWN BY: LH

**DESIGN BL2020-BL**

**Image Turnkey Rentals 818-563-3322**

The designs shown herein are protected by copyright and other laws. This document is to be maintained in confidence. No portion of the information or design shown herein may be reproduced, electronically or otherwise, nor may any display be made from this design without written consent.



DRAWN BY: LH

**DESIGN BL2020-BL**

**Image Turnkey Rentals 818-563-3322**

The designs shown herein are protected by copyright and other laws. This document is to be maintained in confidence. No portion of the information or design shown herein may be reproduced, electronically or otherwise, nor may any display be made from this design without written consent.